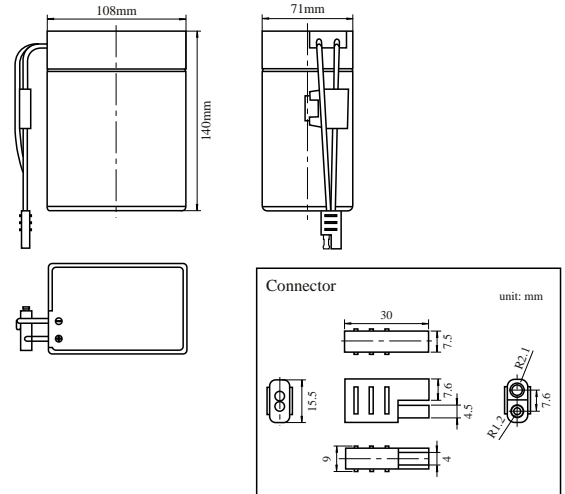


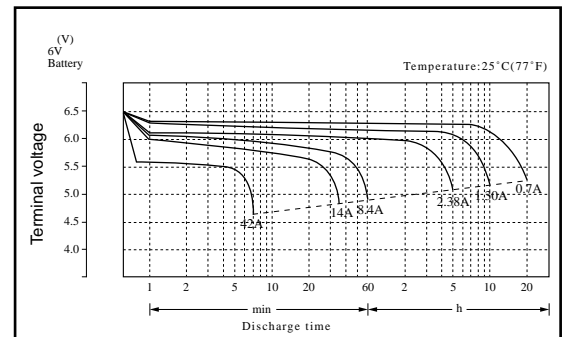
HGL14-6TS



Specifications

Nominal Voltage		6V
Rated Capacity(20 hour rate)		14AH
Dimension	Total Height (with terminals)	140mm(5.51inches)
	Height	140mm(5.51inches)
	Length	108mm(4.25inches)
	Width	71mm(2.80inches)
Weight		Approx.2.80kg(6.17lbs)

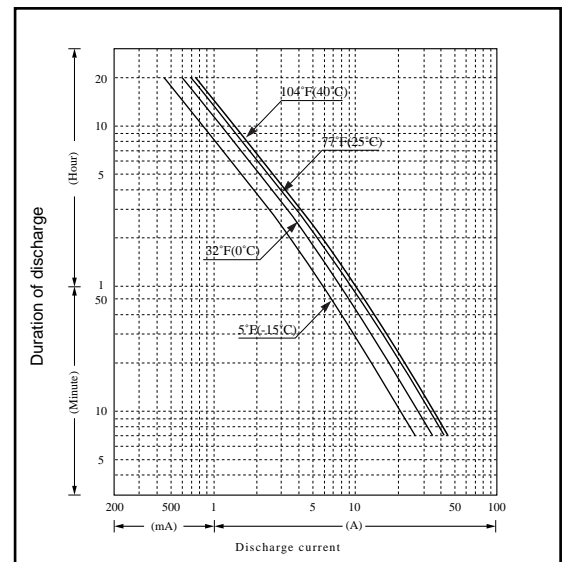
Discharge characteristics 77°F(25°C)



Characteristics

Capacity 77°F(25°C)	20 hour rate(700mA)	14AH
	10 hour rate(1.3A)	13AH
	5 hour rate(2.38A)	11.9AH
	1 hour rate(8.4A)	8.4AH
	15 min rate(24.4A)	6.1AH
Internal Resistance	Full charged Battery 77°F(25°C)	13mΩ
Capacity affected by Temperature (20 hour rate)	104°F(40°C)	102%
	77°F(25°C)	100%
	32°F(0°C)	85%
	5°F(-15°C)	65%
Self-Discharge 77°F(25°C)	Capacity after 3 month storage	91%
	Capacity after 6 month storage	82%
	Capacity after 12 month storage	64%
Max. Discharge Current 77°F(25°C)		210A(5S)
Terminal	Standard	TS
	Optional	
Charging (Constant Voltage)	Cycle	Initial Charging Current 2.8A Or Small 7.25~7.45V/77°F(25°C)
	Float	6.8~6.9V/77°F(25°C)

Duration of discharge vs. Discharge current



Constant Power Discharge Watts Per Cell @ 77°F(25°C)

Cut off voltage V/cell	5M	10M	15M	30M	40M	60M
1.50	90.9	62.8	49.9	31.0	27.0	18.5
1.60	88.7	61.9	48.8	29.9	25.8	18.1
1.67	87.0	60.5	47.7	29.5	25.4	17.8
1.70	85.5	58.6	46.1	28.7	25.0	17.5
1.75	80.5	56.3	43.9	27.5	24.5	17.1

Note The above data are average values, and can be obtained within 3 charge/discharge cycles. These are not minimum values.