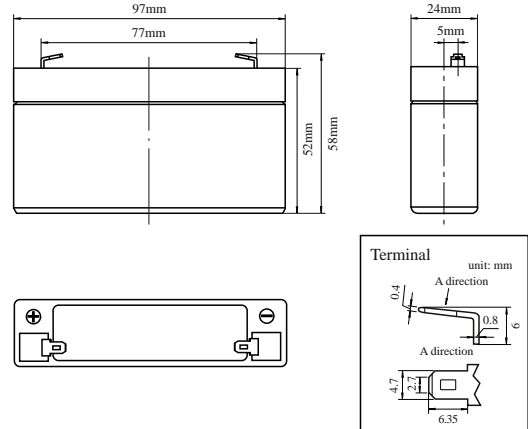
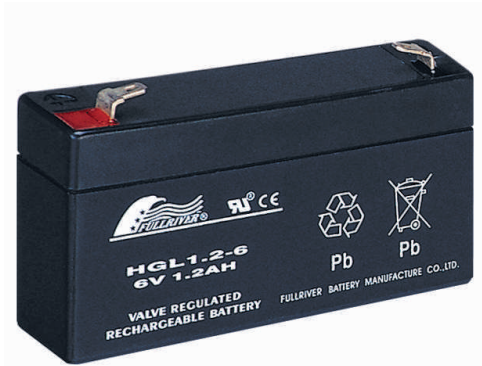


HGL1.2-6



Specifications

Nominal Voltage		6V
Rated Capacity(20 hour rate)		1.2AH
Dimension	Total Height (with terminals)	58mm(2.28inches)
	Height	52mm(2.05inches)
	Length	97mm(3.82inches)
	Width	24mm(0.94inches)
Weight		Approx.0.31kg(0.68lbs)

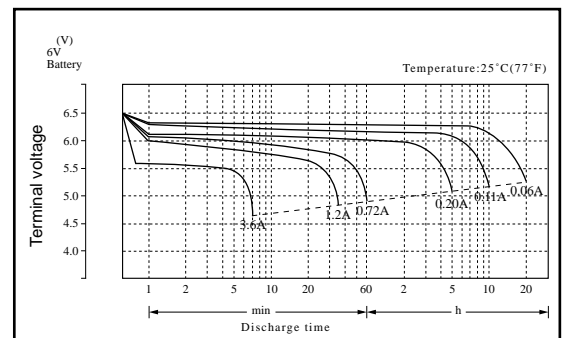
Characteristics

Capacity 77°F(25°C)	20 hour rate(60mA)	1.2AH
	10 hour rate(110mA)	1.1AH
	5 hour rate(200mA)	1.0AH
	1 hour rate(720mA)	0.72AH
	15 min rate(2.12A)	0.53AH
Internal Resistance	Full charged Battery 77°F(25°C)	39mΩ
Capacity affected by Temperature (20 hour rate)	104°F(40°C)	102%
	77°F(25°C)	100%
	32°F(0°C)	85%
	5°F(-15°C)	65%
Self-Discharge 77°F(25°C)	Capacity after 3 month storage	91%
	Capacity after 6 month storage	82%
	Capacity after 12 month storage	64%
Max. Discharge Current 77°F(25°C)		18A(5S)
Terminal	Standard	F1
	Optional	F2
Charging (Constant Voltage)	Cycle	Initial Charging Current 240mA Or Small 7.25V~7.45V/77°F(25°C)
	Float	6.8V~6.9V/77°F(25°C)

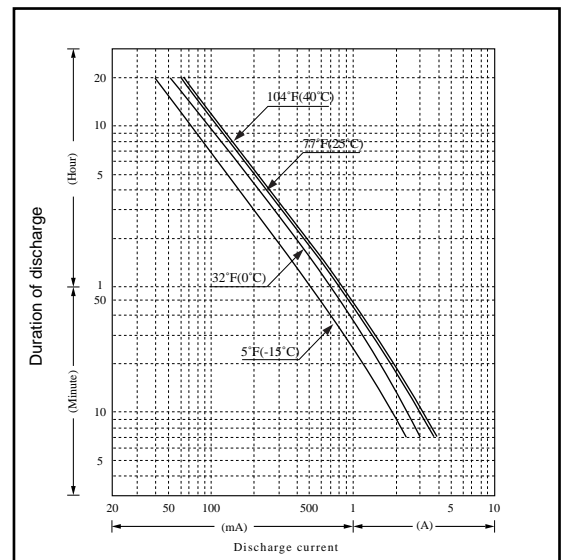
Constant Power Discharge Watts Per Cell @ 77°F(25°C)

Cut off voltage V/cell	5M	10M	15M	30M	40M	60M
1.50	9.4	6.3	4.8	3.0	2.4	1.7
1.60	9.1	6.2	4.7	2.9	2.3	1.7
1.67	8.9	6.0	4.6	2.8	2.2	1.6
1.70	8.8	6.0	4.5	2.8	2.2	1.6
1.75	8.6	5.8	4.4	2.7	2.2	1.6

Discharge characteristics 77°F(25°C)



Duration of discharge vs. Discharge current



Note The above data are average values, and can be obtained within 3 charge/discharge cycles. These are not minimum values.