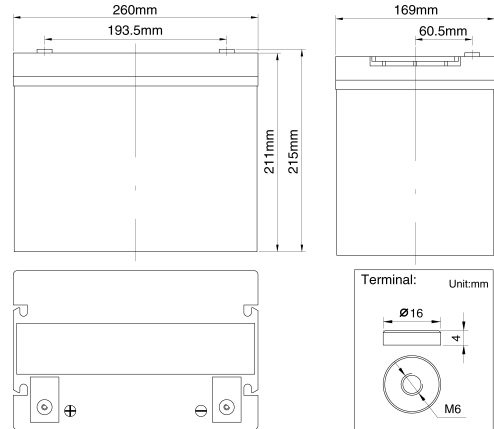


# DC70-12



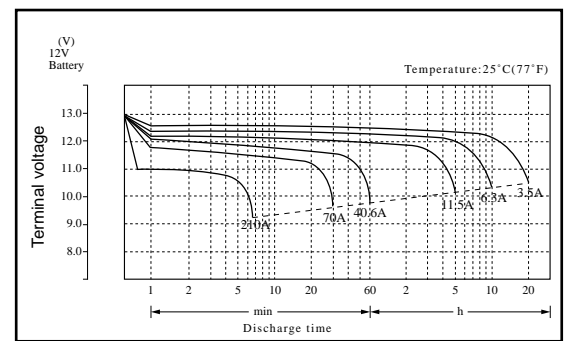
## Specifications

Nominal Voltage		12V
Rated Capacity(20 hour rate)		70AH
Dimension	Total Height (with terminals)	215mm(8.46inches)
	Height	211mm(8.31inches)
	Length	260mm(10.24inches)
	Width	169mm(6.69inches)
Weight		Approx.28.2kg(62.17lbs)

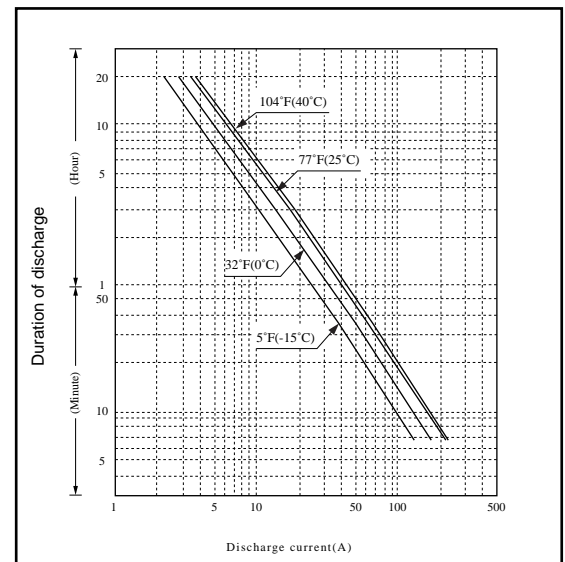
## Characteristics

Capacity 77°F(25°C)	20 hour rate(3.5A)	70AH
	10 hour rate(6.3A)	63AH
	5 hour rate(11.5A)	57.4AH
	1 hour rate(40.6A)	40.6AH
Internal Resistance	Full charged Battery 77°F(25°C)	6mΩ
Capacity affected by Temperature (20 hour rate)	104°F(40°C)	102%
	77°F(25°C)	100%
	32°F(0°C)	85%
	5°F(-15°C)	65%
Self-Discharge 77°F(25°C)	Capacity after 3 month storage	91%
	Capacity after 6 month storage	82%
	Capacity after 12 month storage	64%
Max. Discharge Current 77°F(25°C)	1050A(5S)	
Terminal	Standard	F15
	Optional	
Charging (Constant Voltage)	Cycle	Initial Charging Current 14A Or Small 14.5V~14.9V/77°F(25°C)
	Float	13.6V~13.8V/77°F(25°C)

## Discharge characteristics 77°F(25°C)



## Duration of discharge vs. Discharge current



## Constant Power Discharge Watts Per Cell @ 77°F(25°C)

Cut off voltage V/cell	5M	10M	15M	30M	45M	1H	2H	3H	5H	8H	10H	12H	24H
1.60	445	320	256	159	114	91.1	53.5	37.3	25.3	16.5	13.9	12.0	6.22
1.65	438	316	253	157	113	90.2	53.7	37.0	25.3	16.5	13.9	12.0	6.22
1.67	432	314	248	156	112	89.5	53.4	36.8	25.3	16.5	13.9	12.0	6.22
1.70	420	305	240	151	109	88.7	53.0	36.4	25.3	16.5	13.9	12.0	6.22
1.75	403	293	231	146	107	87.2	52.5	36.0	24.9	16.3	13.8	12.0	6.22
1.80	386	281	221	141	105	85.7	51.9	35.6	24.7	16.0	13.5	11.9	6.22

**Note** The above data are average values, and can be obtained within 3 charge/discharge cycles. These are not minimum values.